

STANDARD NOTES

- All construction methods, materials and installation of the system to be in accordance with all applicable local and state regulations.
- Topographic and property data shown are only approximate.
Topographic data based on map by others, property lines based on a-2 map by others.
- The test results and soil types shown apply only to the test holes shown and may vary throughout the site. Soil type and grade should be verified by the owner over the entire leaching area prior to construction.
- Select fill, if required, to be placed in maximum of 12" lifts and to be compacted to a minimum of 90% compaction. Material to have a maximum of 5% passing the #200 sieve. Prior to the delivery of select fill to the site, the contractor at his expense, shall furnish a certified gradation analysis to the local Health Department and to the Design Engineer. Final approval of septic fill will be conditional on the completion of a percolation test on the in-place material. This test is to be witnessed by the Design Engineer and/or local Health Department official. The maximum allowable percolation rate will be 1" in 10 minutes, unless otherwise noted.
- Unless otherwise directed hereon, the site requiring placement of select fill shall be prepared by removing all topsoil in the system area and 5 ft on all sides. No heavy equipment shall be used in the prepared area. Fill shall be placed on the perimeter of the trench area and spread with a small crawler, tractor or other approved machinery. Upon placement of the first lift of select fill, material shall be thoroughly harrowed into the existing subsoil layer.
- Call "Call Before You Dig" 1-800-922-4455 to locate underground utilities on property and show service lines to building from public utilities shown on plan.
- Contractor shall contact the certifying engineer and Health department at least 24 hours prior to starting construction, or the system installation will not be certified.
- Oil tank is to be installed inside proposed building.
- The licensed installer shall cover the septic system with clean soil as prescribed by the latest revision of Technical Standards. Clean soil is native soil, free of contaminants such as boulders, building debris, stumps, etc.
- Septic system to be staked by Engineer/Surveyor and benchmark set prior to starting construction.
- A sieve analysis of the septic fill is to be provided to the health district and design engineer verifying compliance to Health Code requirements prior to placement on site.
- Prior to starting construction house and septic system to be staked and benchmark set by Engineer/Surveyor. Prior to backfilling septic system Engineer/Surveyor to asbuilt completed septic system and provide plan to health department.

DESIGN INFORMATION

percolation test observed on _____

1050sf of effective leaching area required for proposed 4br house
1540sf of effective area provided

140' lineal feet of MANTIS 536-8 units required for proposed 4 bedroom house.

MLSS CALCULATIONS: Depth= 39" Slope= 5.2% HF= 26 FF= 1.75 PF= 3.0

MLSS = (HF) X (FF) X (PF) = 136.5'

TEST PITS BY OTHERS CONDUCTED ON 09/05/05

TP	DATE	DEPTH	SOIL TYPE	WATER	LEDGE
TP 1	1/22/09	0-36"	BROWN SAND AND STONE	36"	85"
TP 2	1/29	0-36"	BROWN SAND AND STONE	36"	85"
TP 3	2/11	0-12"	BROWN SAND AND STONE	12"	90"
TP 4	2/19	12-90"	BROWN SAND AND STONE	12"	90"
TP 5	2/26	0-12"	BROWN SAND AND STONE	12"	90"
TP 6	3/5	12-90"	BROWN SAND AND STONE	12"	90"
TP 7	3/12	0-12"	BROWN SAND AND STONE	12"	90"
TP 8	3/19	12-90"	BROWN SAND AND STONE	12"	90"
TP 9	3/26	0-12"	BROWN SAND AND STONE	12"	90"
TP 10	4/3	12-90"	BROWN SAND AND STONE	12"	90"
TP 11	4/9	0-12"	BROWN SAND AND STONE	12"	90"
TP 12	4/16	12-90"	BROWN SAND AND STONE	12"	90"
TP 13	4/23	0-12"	BROWN SAND AND STONE	12"	90"
TP 14	4/30	12-90"	BROWN SAND AND STONE	12"	90"
TP 15	5/7	0-12"	BROWN SAND AND STONE	12"	90"
TP 16	5/14	12-90"	BROWN SAND AND STONE	12"	90"
TP 17	5/21	0-12"	BROWN SAND AND STONE	12"	90"

TEST PITS OBSERVED BY L. EDWARDS ASSOC

MW	DATE	DEPTH	SOIL TYPE	WATER	LEDGE
MW-1	4/16	0-24"	MIX OF TOPSOIL AND SUBSOIL	24"	42"
MW-2	4/23	0-18"	MIX OF TOPSOIL AND SUBSOIL	18"	40"

PERCOLATION TESTS CONDUCTED BY L. EDWARDS ASSOC 4/30/09

PIT	DEPTH	PERCOLATION RATE
P-1	6"	8.75"
P-1	10"	11.0"
P-1	20"	12.75"
P-1	40"	13.5"
P-1	50"	14.75"
P-1	60"	15.5"
P-1	TD = 20"	
P-1	RATE: 1/13.3	
P-2	5"	5.75"
P-2	20"	7.0"
P-2	30"	7.5"
P-2	40"	8.0"
P-2	50"	8.5"
P-2	60"	8.75"
P-2	TG = 18"	
P-2	1/40.0	

MONITOR DATA (DEPTH FROM EXIST. GROUND)

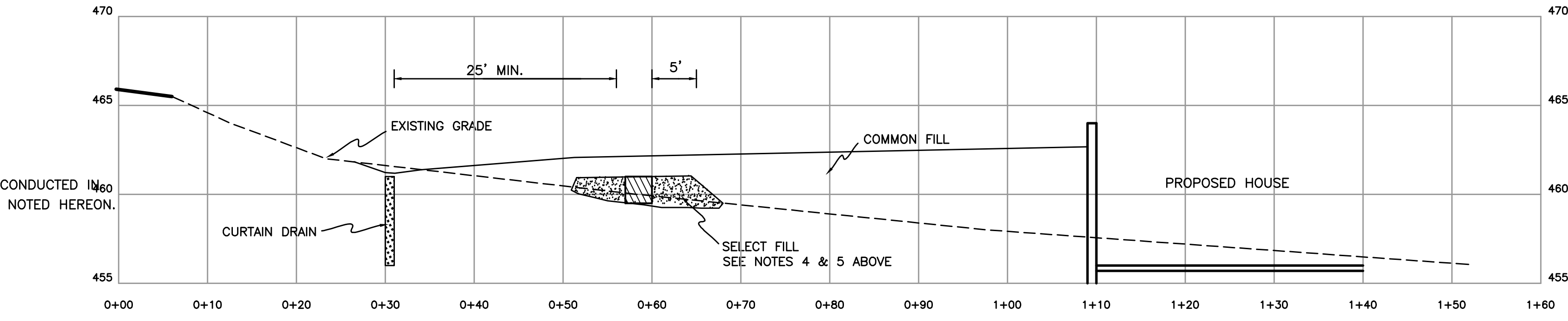
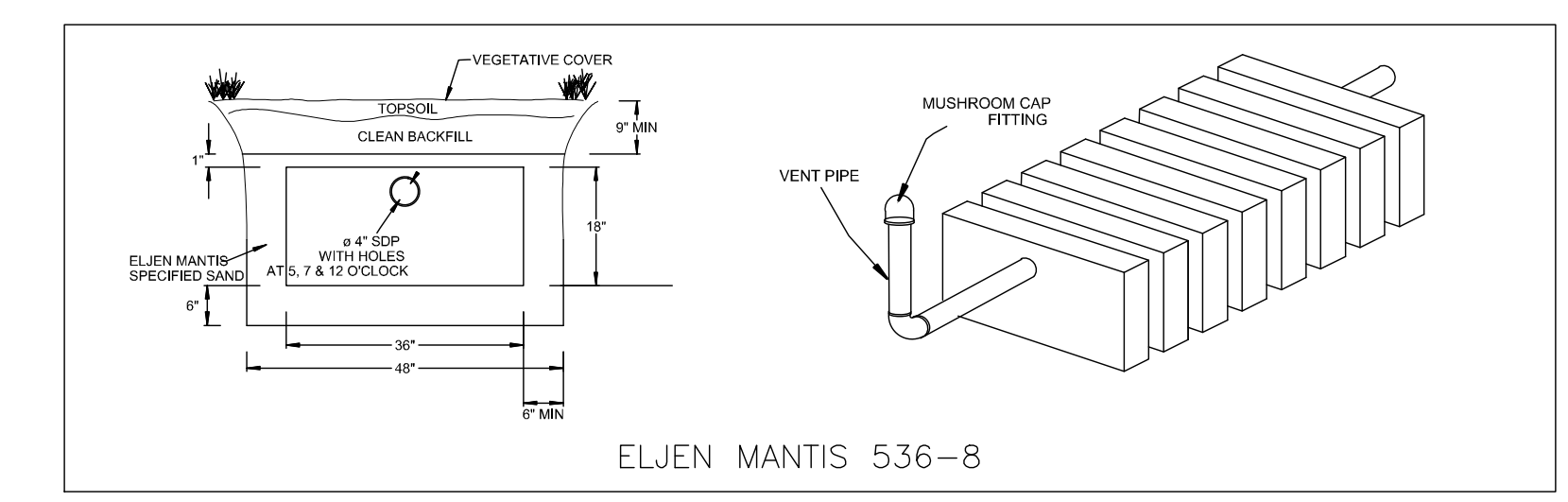
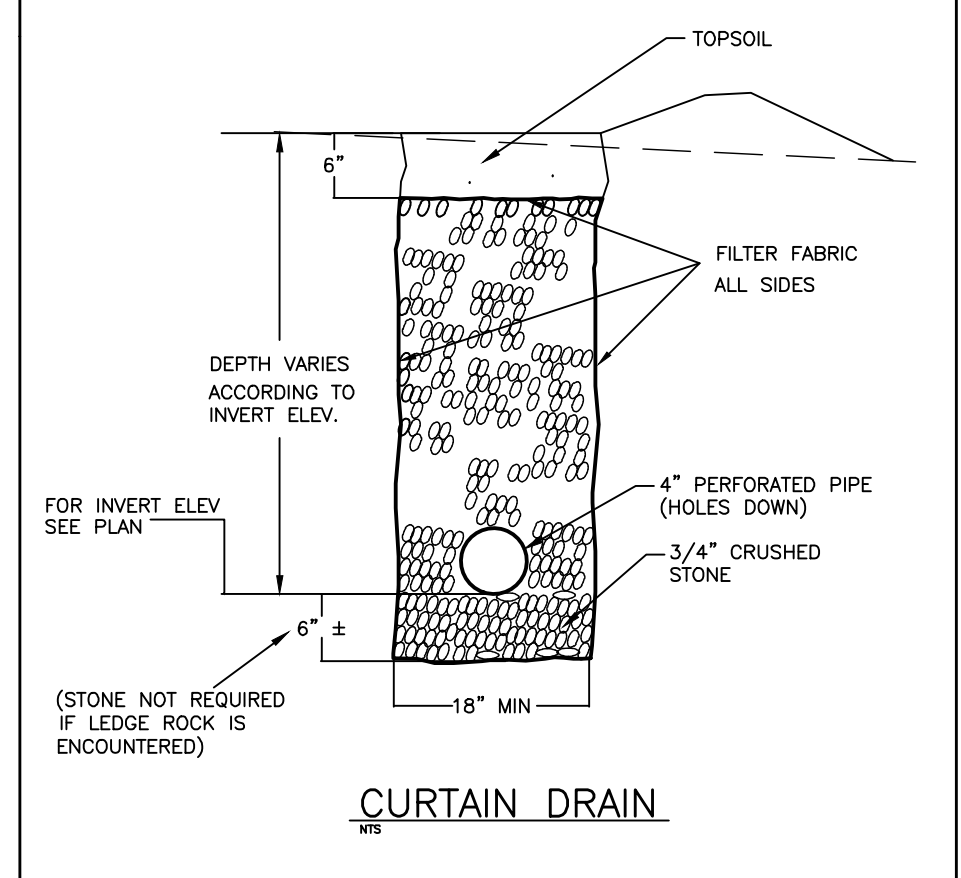
DATE	MW-1	MW-2
1/22/09	3.5'	3.4'
1/29	3.4'	3.4'
2/5	3.5'	3.3'
2/11	3.3'	3.2'
2/19	3.3'	3.3'
2/26	3.4'	3.3'
3/5	3.4'	3.2'
3/12	3.5'	3.1'
3/19	3.4'	3.2'
3/26	3.3'	3.1'
4/3	3.3'	3.1'
4/9	3.3'	3.1'
4/16	3.4'	3.2'
4/23	3.1'	2.9'
4/30	3.5'	3.3'
5/7	3.1'	2.8'
5/14	3.4'	3.2'
5/21	3.5'	3.3'

AVERAGE = 3.25'

SYSTEM DETAILS

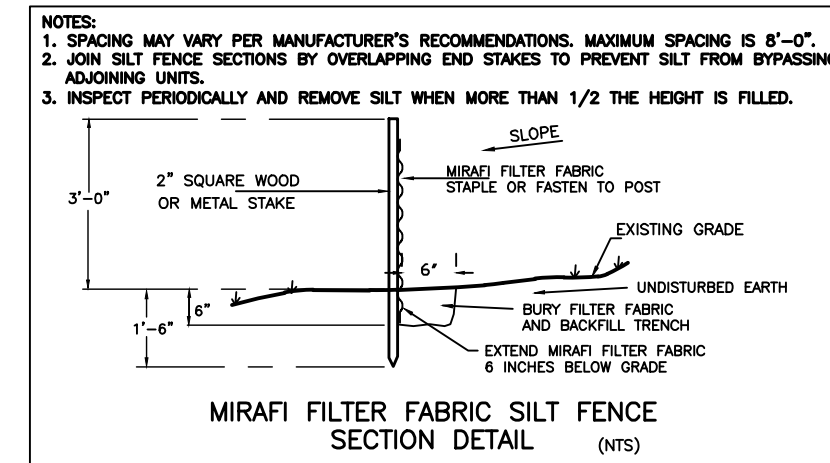
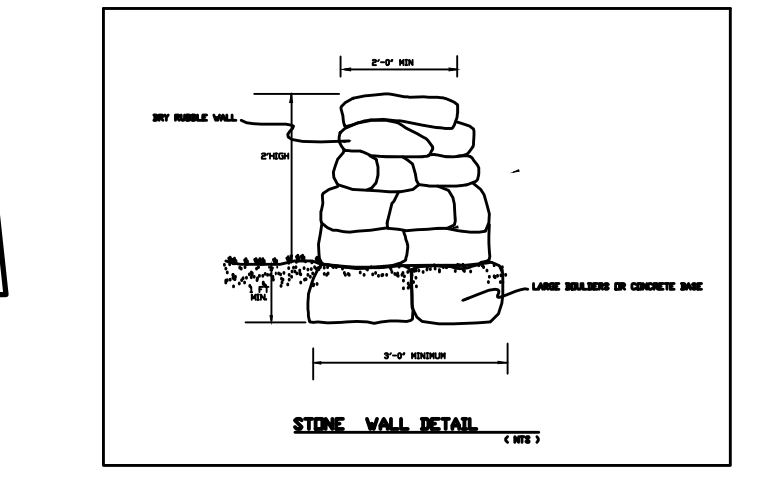
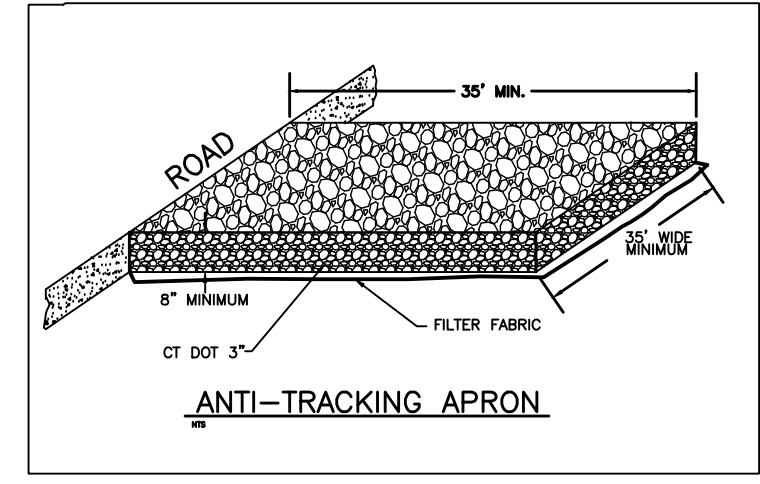
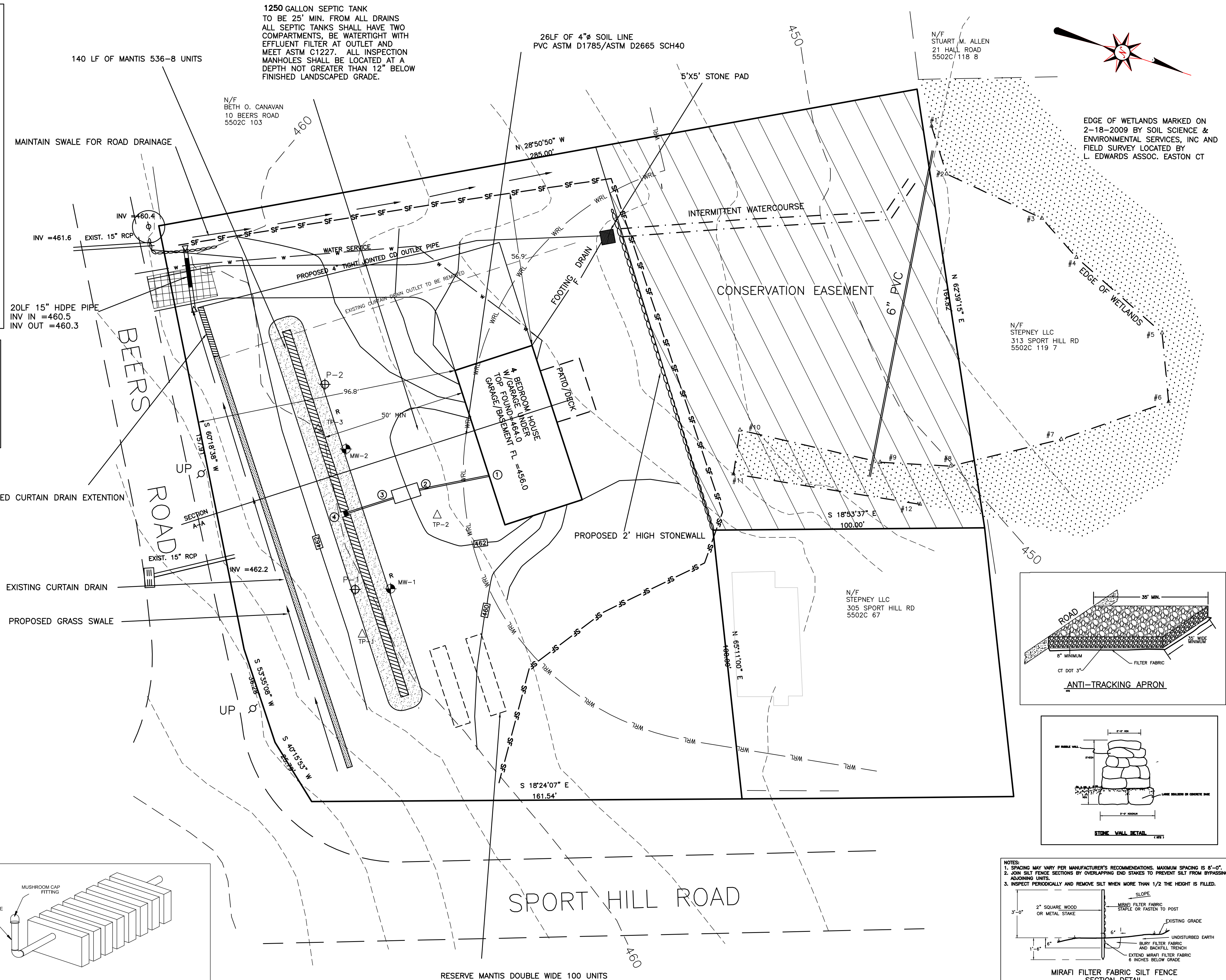
No.	Inv. Elev.
1	462.0
2	461.0
3	460.75
No. Elev bottom sys	
4	459.5

* overflow invert to lower trench to be set at elev. of top of trench/unit



I HEREBY CERTIFY THAT THE PERCOLATION TEST(S) SHOWN HEREON WERE CONDUCTED IN CONFORMANCE WITH ALL CURRENT STATE REGULATIONS UNLESS OTHERWISE NOTED HEREON.

LARRY EDWARDS, P.E. #10937



LEGEND

- EXISTING CONTOUR
- PROPOSED CONTOUR
- DEEP TEST PIT
- PERCOLATION TEST
- FILTER FABRIC FENCE
- ANTI-TRACKING APRON
- BUILDING SETBACK LINE

Client: GANIM
Date: 12-16-08
REV 08/11/20
Scale: 1"=20'
Design: LE
Drawn: SPD
Chcd: LE
File #: 1927

PROPOSED SITE PLAN

301 SPORT HILL ROAD

EASTON, CONNECTICUT

0' 30' 60' 90'

L. EDWARDS ASSOCIATES, LLC
Engineering and Surveying
227 Stepney Road
Easton, CT 06612
203-268-4205