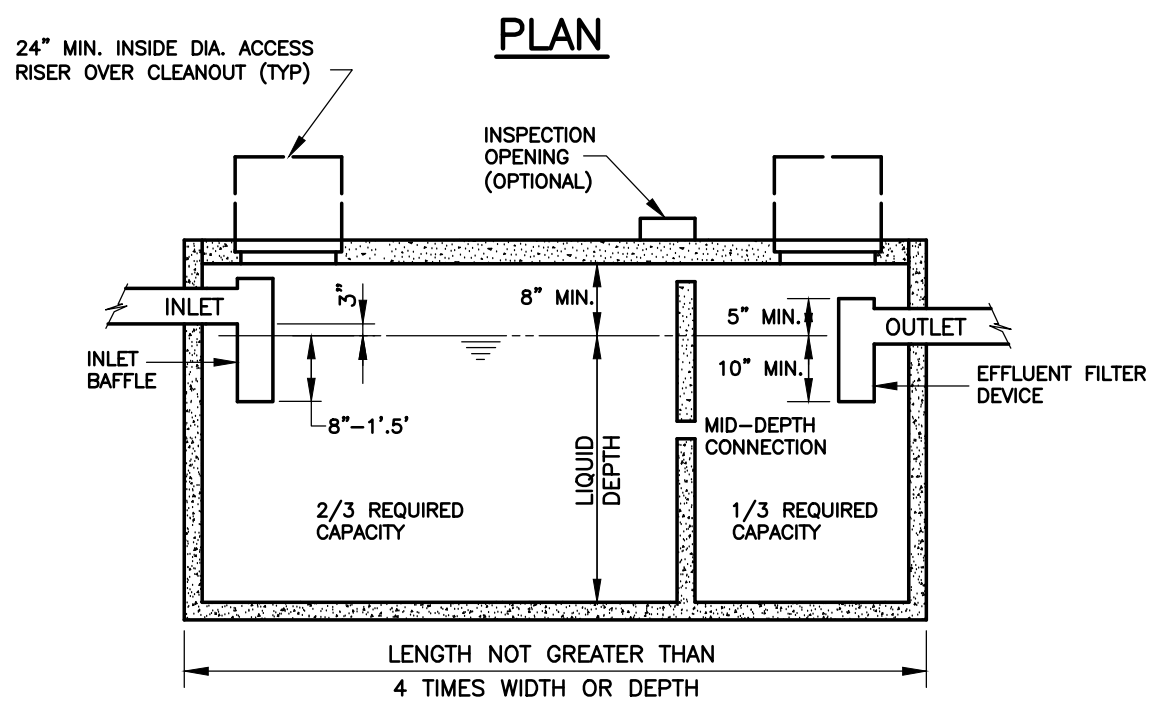
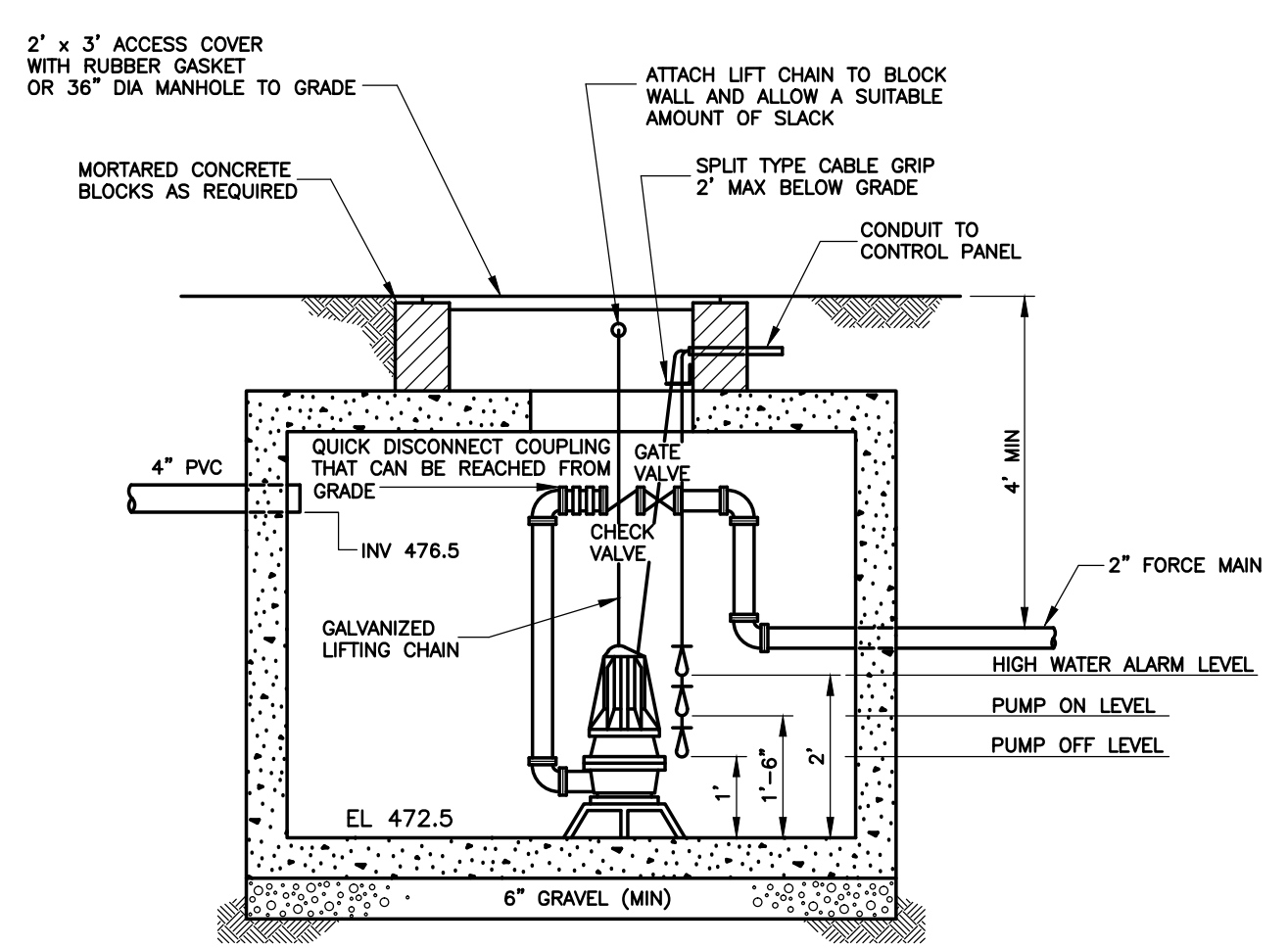


DISTRIBUTION BOX WITH BAFFLE DB-6

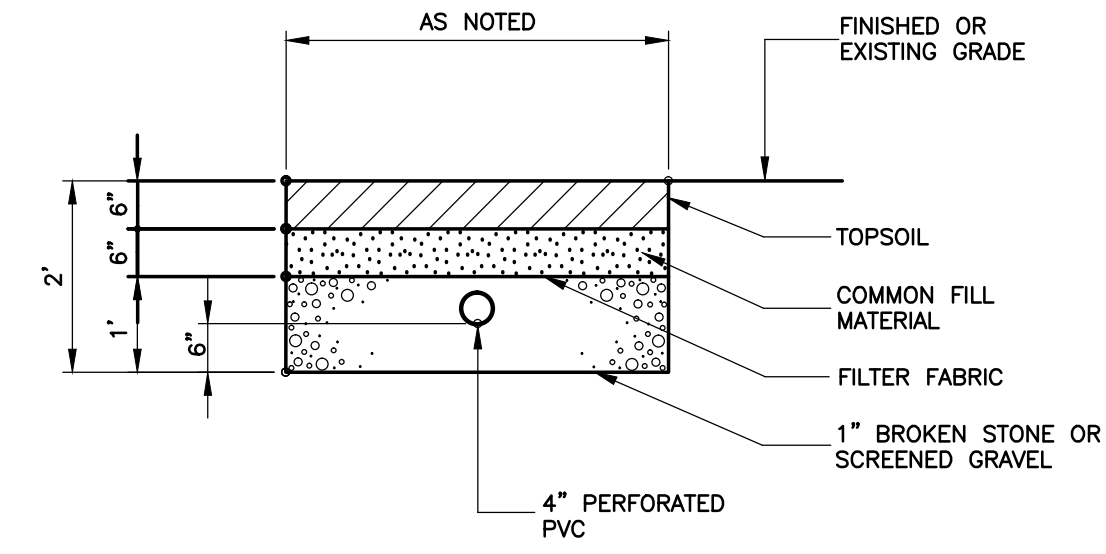


SECTION SEPTIC TANK

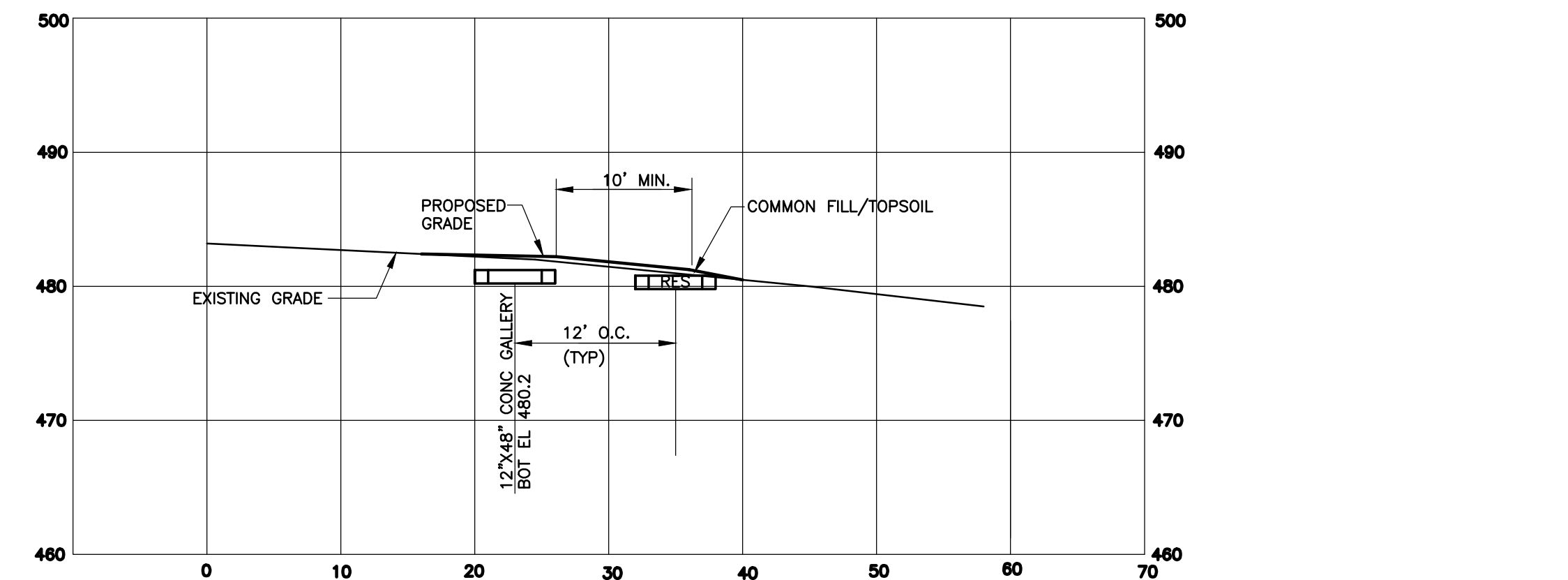
SOURCE: CT.-D.P.H. "TECHNICAL STANDARDS"



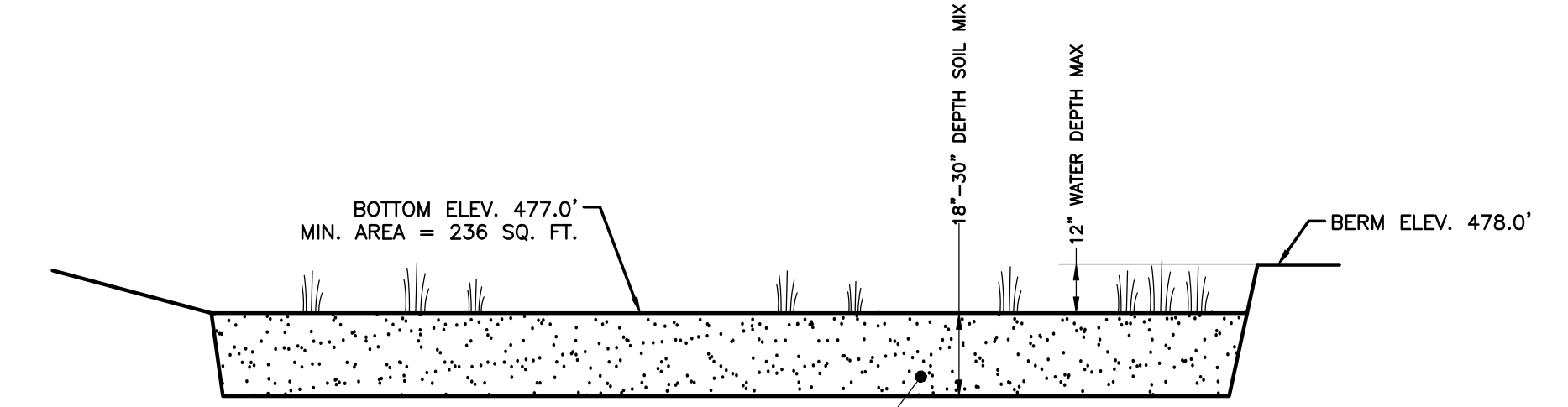
SECTION PUMP CHAMBER



LEACHING TRENCH



SECTION A-A
SCALE: 1"=10'



RAIN GARDEN SECTION
N.T.S.

- RAIN GARDEN IMPLEMENTATION NOTES**
- RAIN GARDEN SOIL MIX SHALL CONSIST OF 50-60% SAND, 20-30% TOPSOIL, AND 20-30% PEAT MOSS.
 - RAIN GARDEN SOIL MIX SHALL BE PLACED 18"-30" DEEP.
 - COMPACTION OF RAIN GARDENS SHALL BE MINIMIZED TO THE MAXIMUM EXTENT FEASIBLE BY THE USE OF EXCAVATION HOES, LIGHT EQUIPMENT WITH TURF TYPE TIRES, OR WIDE TRACK EQUIPMENT.
 - IF COMPACTION DOES OCCUR IN RAIN GARDEN, THE COMPACTED ZONE SHALL BE TILLED TO REFRATURE AT LEAST 12" OF NATURAL SOIL BEFORE BACKFILLED WITH SOIL MIX.
 - WHEN BACKFILLING RAIN GARDEN, PLACE SOIL IN LIFTS OF 12-18" AND USE LIGHT EQUIPMENT ONLY WHEN GRADING WITHIN THE GARDEN. HEAVY EQUIPMENT CAN BE USED AROUND THE PERIMETER OF THE BASIN.
 - ALLOW SOIL MIXTURE TO SETTLE NATURALLY THROUGH RAIN EVENTS OR PRESOAK AFTER PLACEMENT.
 - MULCH SHRUBS WITH PINE BARK MULCH OR EQUIVALENT. MULCH PLUGS WITH A THIN LAYER OF CHOPPED WEED FREE STRAW. DO NOT RENEW UNLESS DIRECTED.
 - WATER AS NEEDED DURING THE ESTABLISHMENT PERIOD.

LOCATIONS OF PROPOSED HERB PLANTINGS ARE TO BE ADJUSTED BASED ON SOIL CONDITIONS.
PLANTING SPACING FOR HERBACEOUS MATERIAL IS TO BE 18" O.C. GROUP HERBACEOUS PLANTS BY SPECIES WITH A MINIMUM OF 10 PLANTS PER GROUP.

Scientific Name	Common Name
<i>Aster incarnatus</i>	Sweamp Milkweed
<i>Aster laevis</i>	Smooth Aster
<i>Aster novae-angliae</i>	New England Aster
<i>Aster novae-belgii</i>	New York Aster
<i>Carex vulpinoidea</i>	For Sedge
<i>Chelone glabra</i>	White Turtlehead
<i>Oryzopsis arundinacea</i>	Slack Wood-Redgrass
<i>Equisetum hyemale</i>	Spotted Joe-pye-Weed
<i>Epipactis atrorubens</i>	Bronze
<i>Isotria medeolae</i>	Blue Flag
<i>Labellia cardinalis</i>	Cardinal Flower
<i>Labellia sylvatica</i>	Blue Lobelia
<i>Thalictrum flavum</i>	King of the Meadow
<i>Veronica hastulata</i>	Ironweed

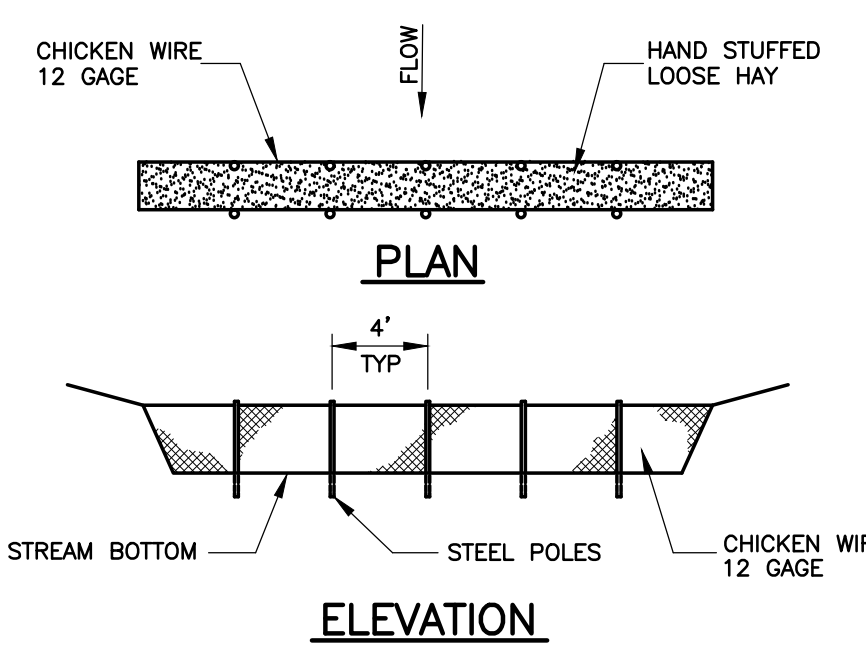
Select a minimum of 6 species

Rain Garden Herbs - Plant Type & Spacing (total planting area = 288 sq ft)	
Plant type	2" inch live plug
Plant spacing	18 inches on center
Total herbs	134

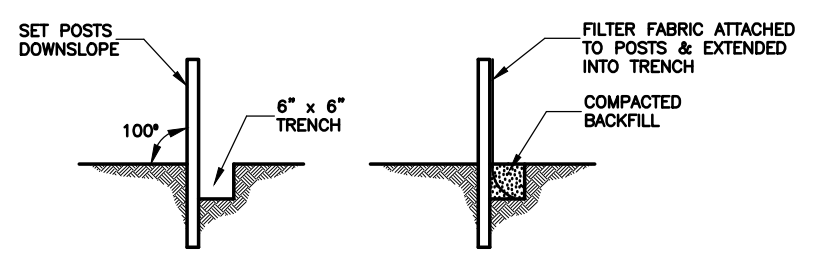
Rain Garden Shrubs	
<i>Cornus alba</i>	Summersweet doehra
<i>Cornus amomum</i>	Silly dogwood
<i>Cornus mas</i>	Grey dogwood
<i>Cornus sericea</i>	Red osier dogwood
<i>Viburnum dentatum</i>	Arrowwood
<i>Viburnum cassinoides</i>	Wharod
<i>Myrica pensylvanica</i>	Bayberry
<i>Aronia arbutifolia</i>	Red chokeberry

Select a minimum of 2 species

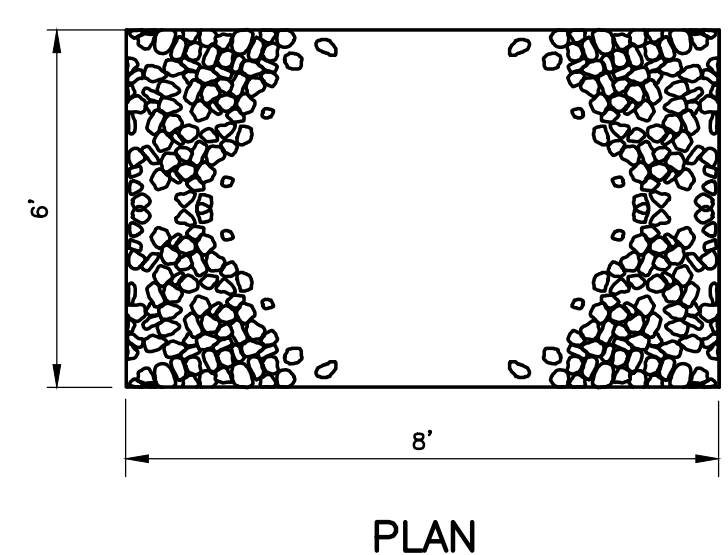
Rain Garden Shrubs - Plant Type & Spacing (total planting area = 288 sq ft)	
Plant type	Minimum 3-4 height, potted
Plant spacing	8 feet on center
Total shrubs	5



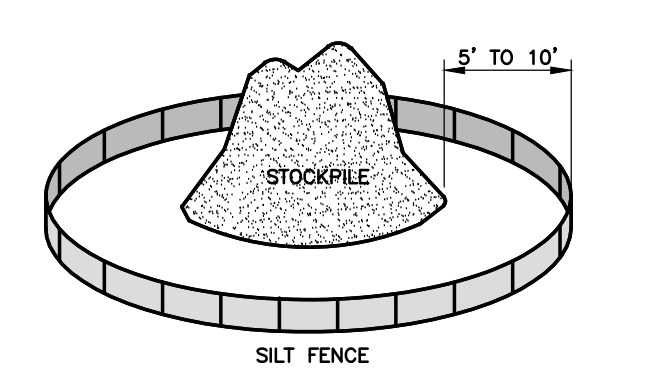
WIRE & STRAW SEDIMENTATION FILTER



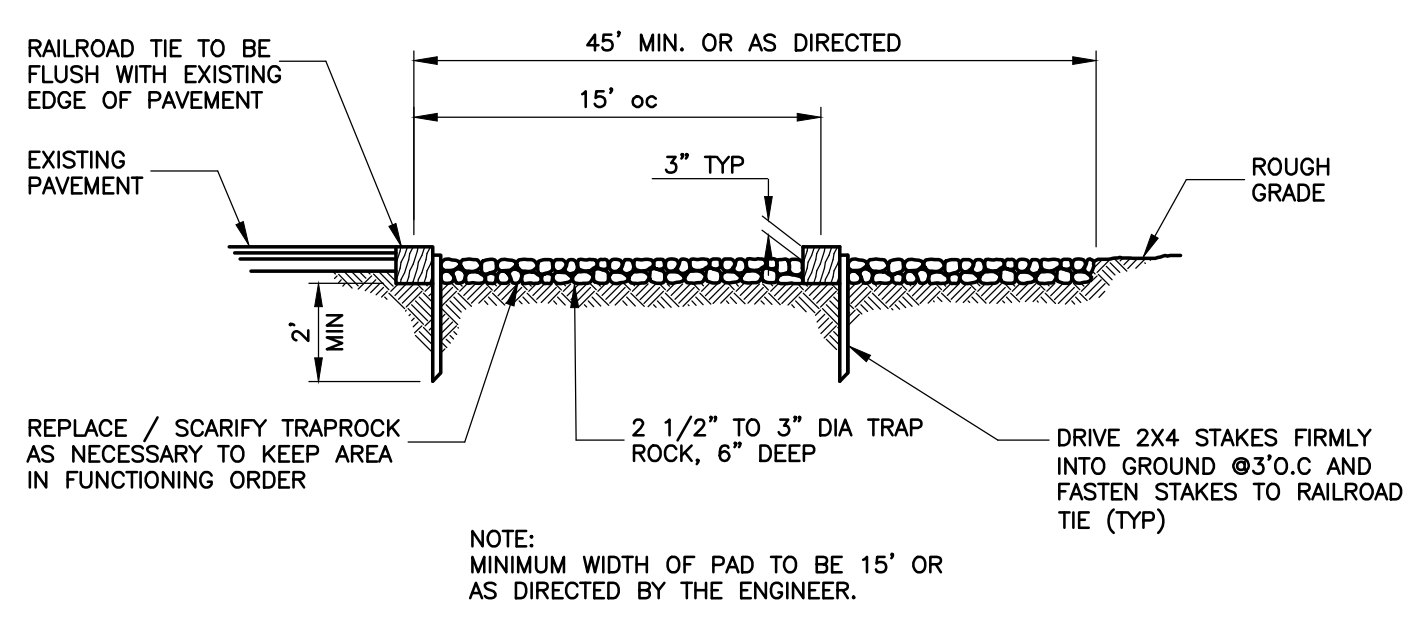
SYNTHETIC FILTER BARRIER



RIPRAP LEAK-OFF



STOCKPILE STABILIZATION



ANTI-TRACKING PAD

DETAILS
398 JUDD ROAD
EASTON, CONNECTICUT
PREPARED FOR
JANS LAND DEVELOPMENT, LLC

DATE:	1-29-21	SCALE:	N.T.S.	DRAFTER:	TMR	JOB NO:	483X3	FILE NUMBER:	
NO.	4-6-21	DATE	DESTINATION						
SUBMITTALS									



SPATH-BJORKLUND ASSOCIATES, INC.
PO Box 324, Monroe, Connecticut 06468
Phone: 203-268-5216